

27 701 670



Fits: IMO, LULU, MADISON, MEM, TARA, CL.1, LISSÉ, VAIA

- wall bracket with integrated safety shut off valve
- max. standing pressure: 5bar
- hand shower with back flow preventer
- 1/2" shower outlet
- rosette Ø 60 mm
- metal shower hose 1250mm with integrated anti-twist protection

This product does not provide intrinsic protection against backflow in accordance with DIN EN 1717. This product must not be installed and operated in countries where compliance with DIN EN 1717 is stipulated.

	Chrome	27 701 670-00
	Brushed Platinum	27 701 670-06
	Platinum	27 701 670-08
	Dark Chrome	27 701 670-19
	Brushed Durabronze (23kt Gold)	27 701 670-28
	Brushed Bronze	27 701 670-42
	Brushed Champagne (22kt Gold)	27 701 670-46
	Champagne (22kt Gold)	27 701 670-47
	Brushed Chrome	27 701 670-93
	Brushed Dark Platinum	27 701 670-99

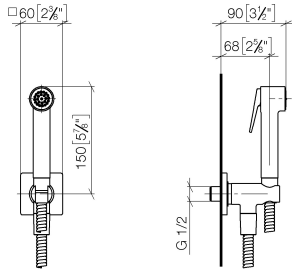
Recommended miscellaneous



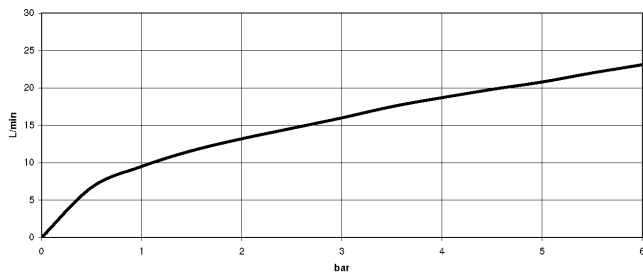
- Concealed wall elbow -** 35 085 970 90
- max. recess depth 163 mm
 - min. recess depth 90 mm

27 701 670

mm [inches]



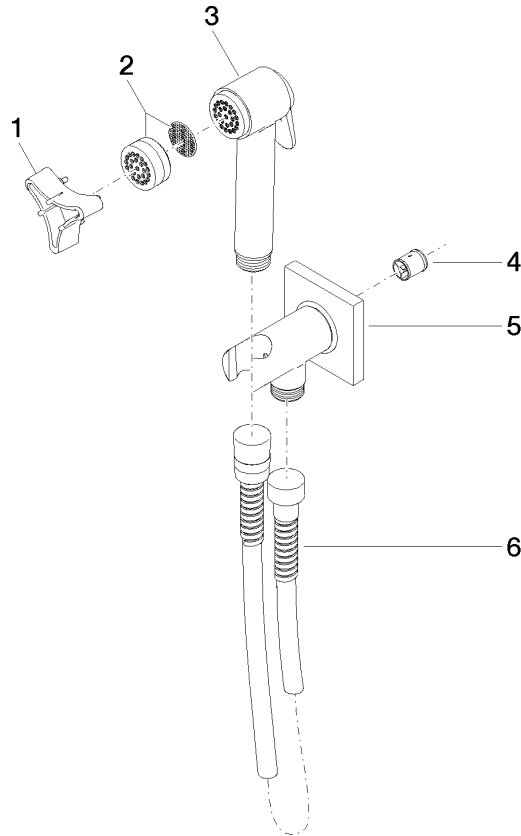
Flow rate chart



Certificates

LGA_29989.

27 701 670



Spare parts list

No.	Item Number	Name	Quantity used	Delivery time
1	09 30 09 029 90	key	1	2
2	12 861 970-00	accessories	1	2
3	90 12 11 107 00-00	shower	1	2
4	09 23 01 097 90	back-flow preventer	1	2
5	90 11 03 002 00-00	connection	1	2
6	90 30 02 001 00-00	hose	1	2